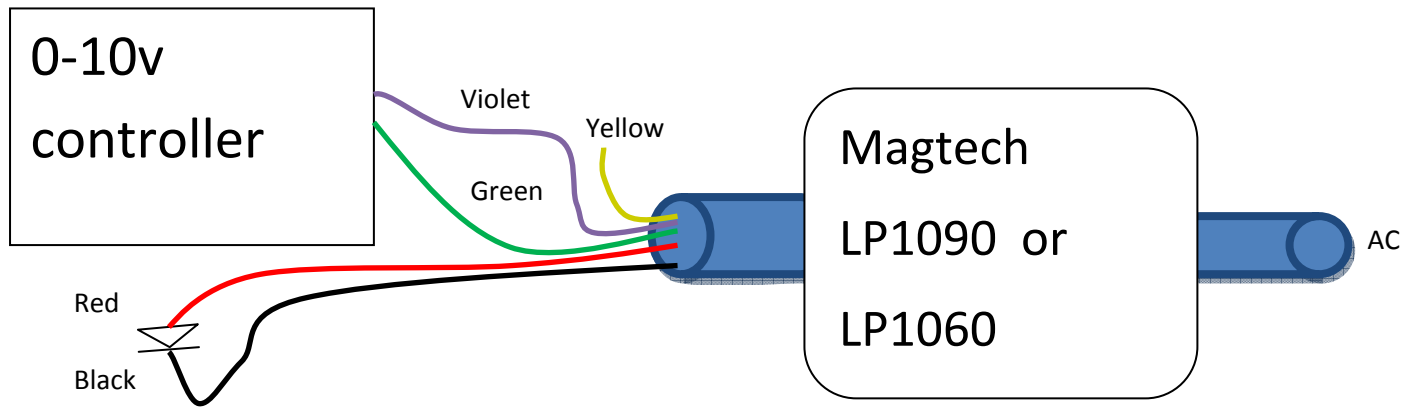


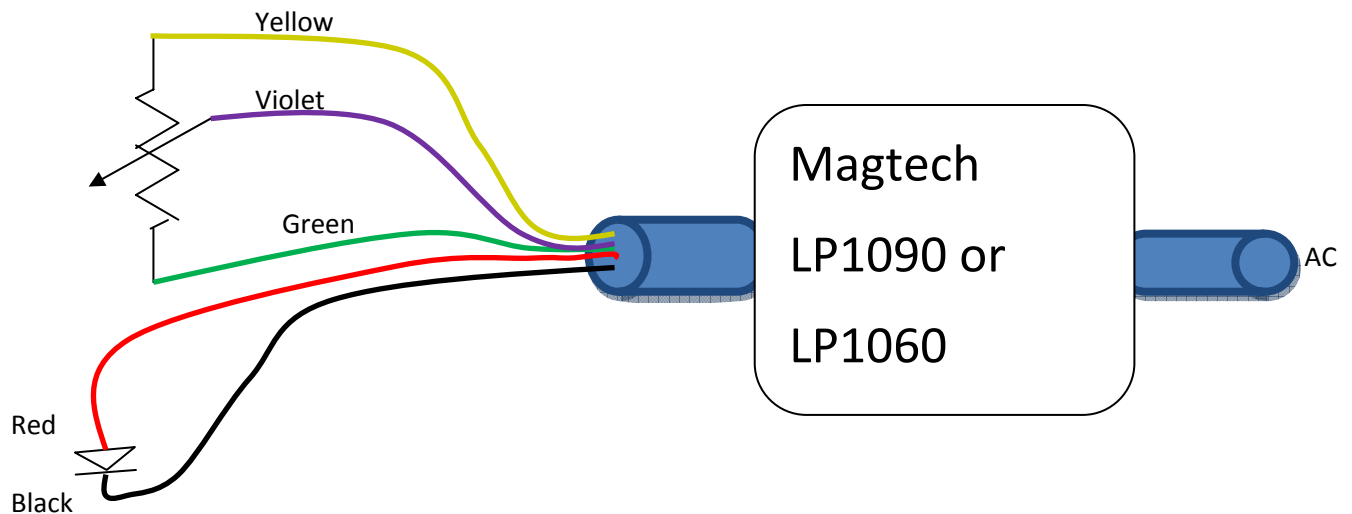
CV2605 installed in LP1090 or LP1060 Series

Application note

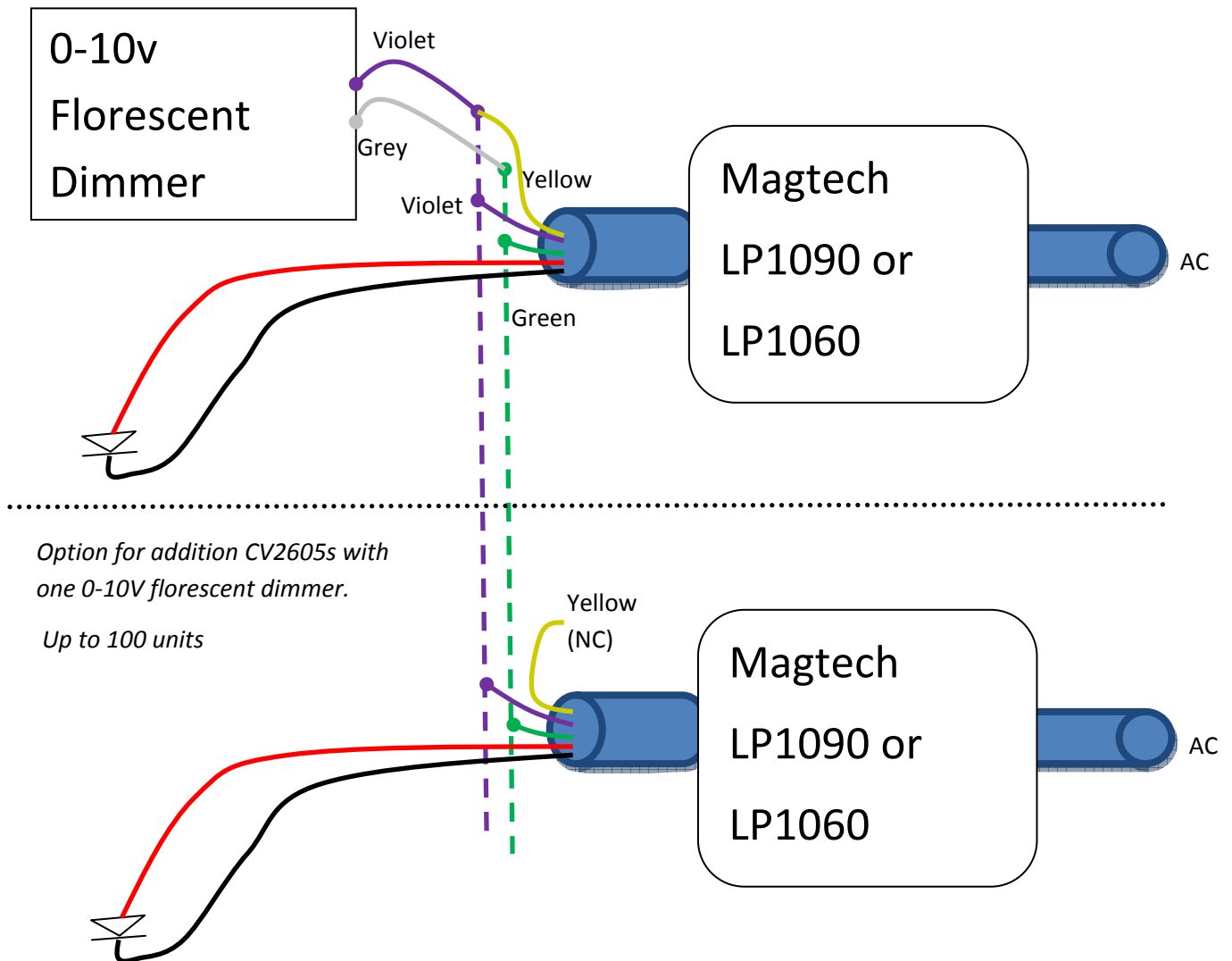
Using Magtech CV2605 with 0-10V controller:



Using Magtech CV2605 with potentiometer:



Using Magtech CV2605 with 0-10V florescent dimmer:



Tested devices for use with LP1060 and LP1090.

Leviton	IP710-DLX
Lutron	NTFTV-WH
Lightolier	V2000FAMU

For all other please contact us www.magtechind.com

Disclaimer:

All of the above information are for reference use only. If you have any questions concerning information listed above, please call our customer service for more detail definitions.